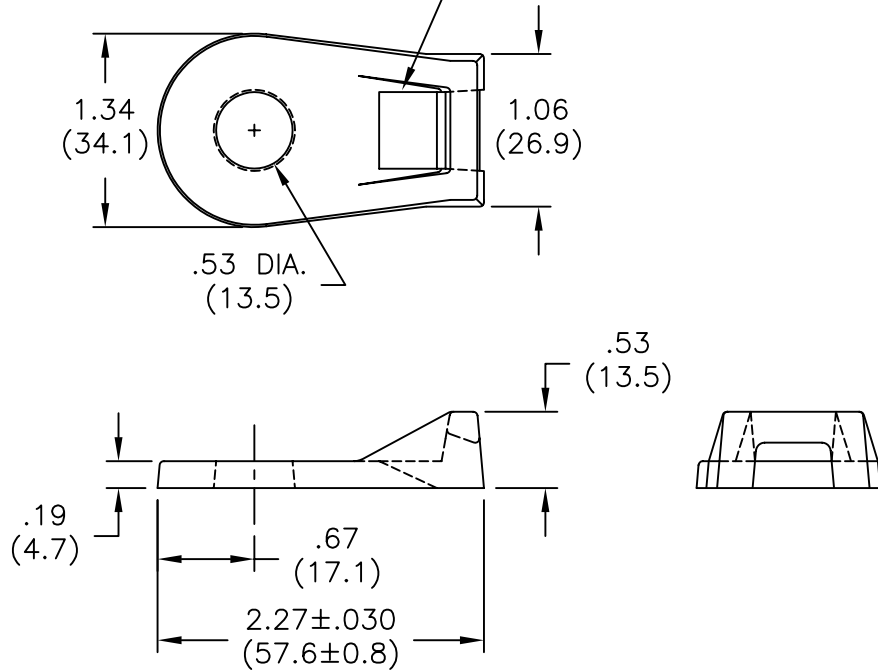


ACCOMMODATES WIT-18 THRU WIT-225,
AND QTE-18 THRU QTE-120 TIES



NOTES:

1. MATERIAL: NYLON 6/6 (RMS-01).
2. COLOR: NATURAL.

E SEE ECN #1124 FOR CHANGES SK 01.24.06			TITLE: TIE HOLDER, HEAVY DUTY				DWG IN IN (MM)		FINAL		QR
D CHANGED FILE NO. SM 05.31.02			TOLERANCES UNLESS NOTED		FILE # FTH-17		DWN: P.B.		APP:		
C CABLE TIE NOTE UPDATED ON GRAPH ADDED TOLERANCE (2.27±.030) J.L. 01.04.00			.XX=±.010		MAT'L: SEE NOTES		DT: 04-12-95		DT:		
B CONVERTED TO ACAD PB 04.12.95			.XXX=±.005		RE: RICHCO, INC.		RICHCO INC.		PART #		
A (MM) ADDED JP 04.11.91			FRAC=±1/64		PO BOX 804238, CHICAGO, 60680		FTH-17-8-01		PRINT TYPE		
REV DESCRIPTION ENGR DATE			ANG=±1'		(773) 539-4060				CA		